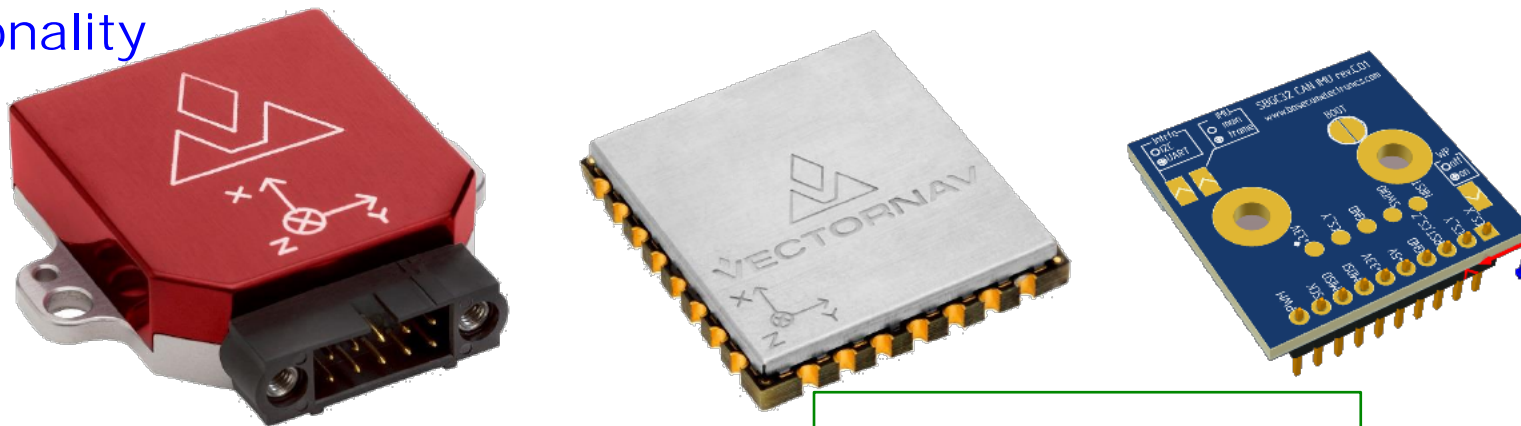
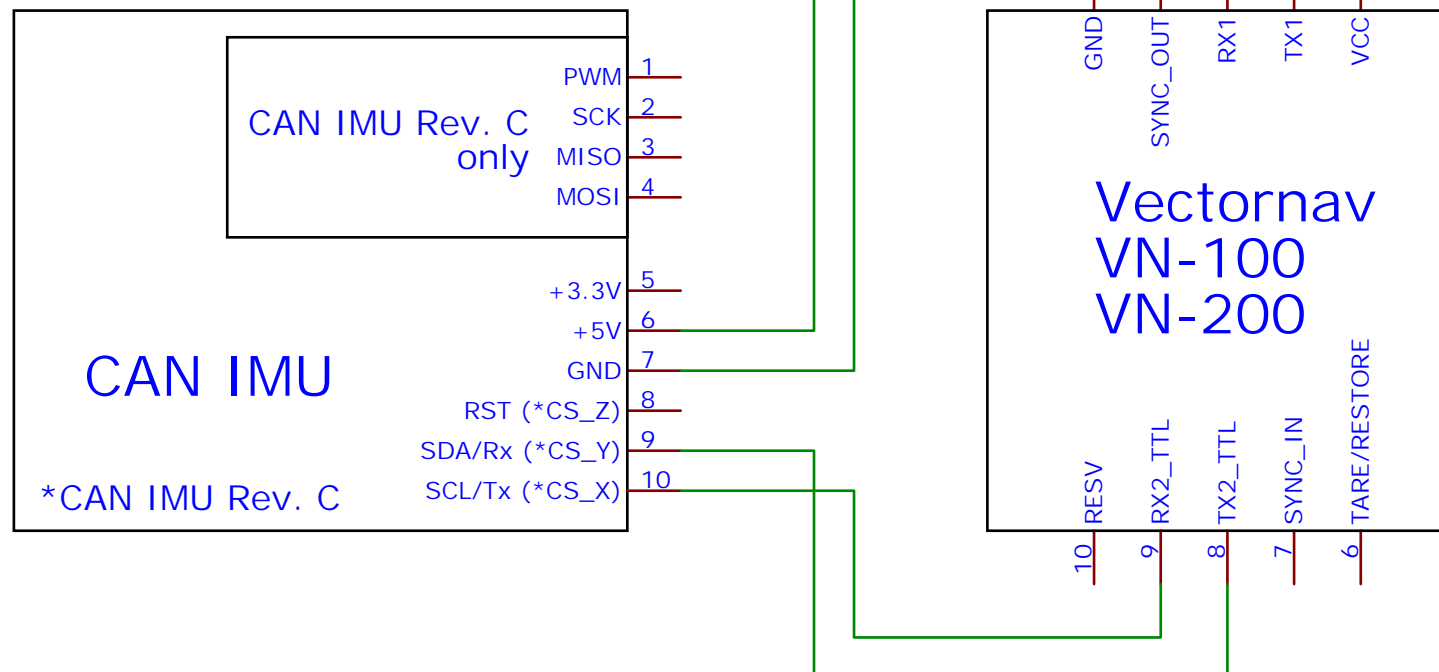


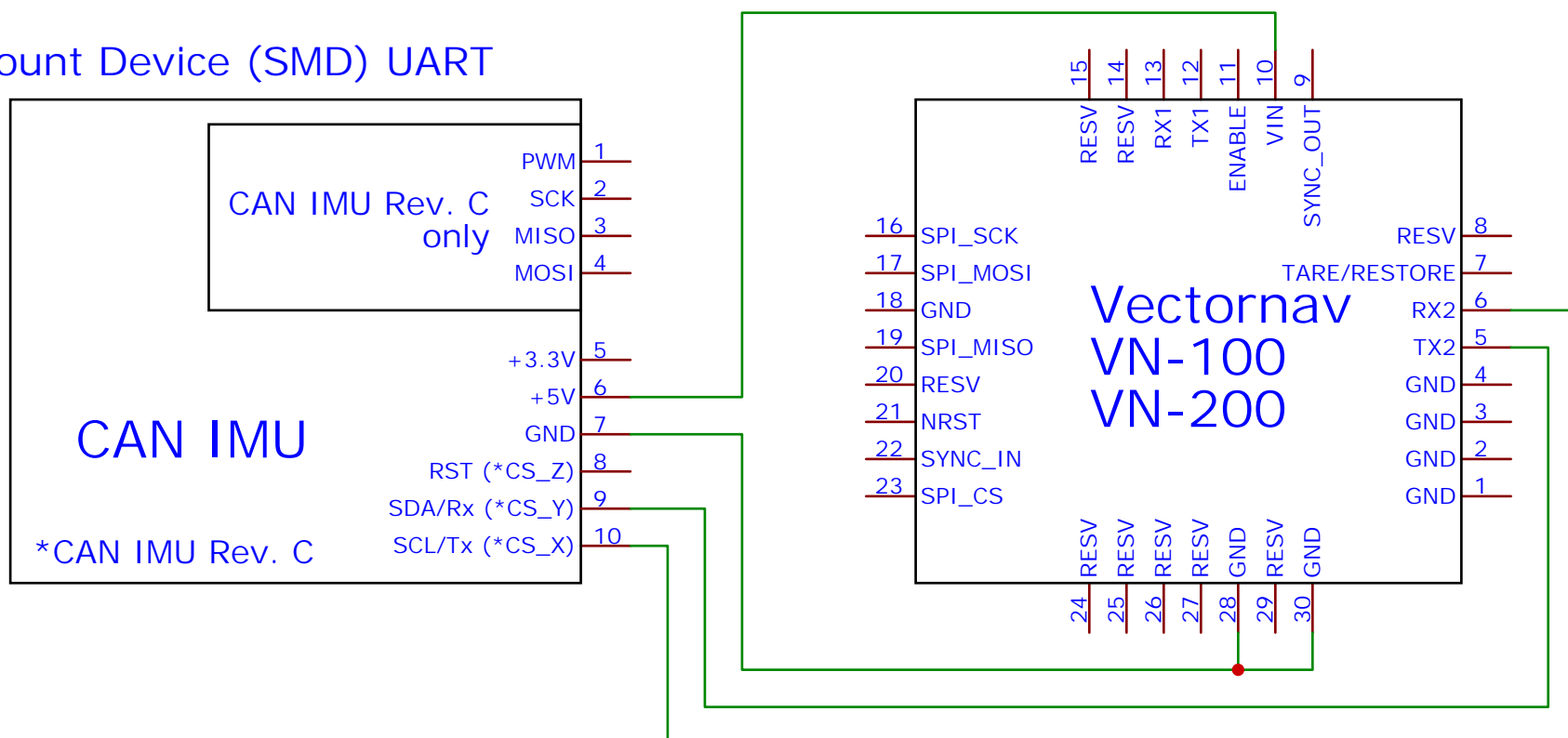
Co-directionality of axes:



Rugged External Connector



Surface-Mount Device (SMD) UART



Surface-Mount Device (SMD) SPI

